

SIZE 16 STEPPER MOTOR DATA

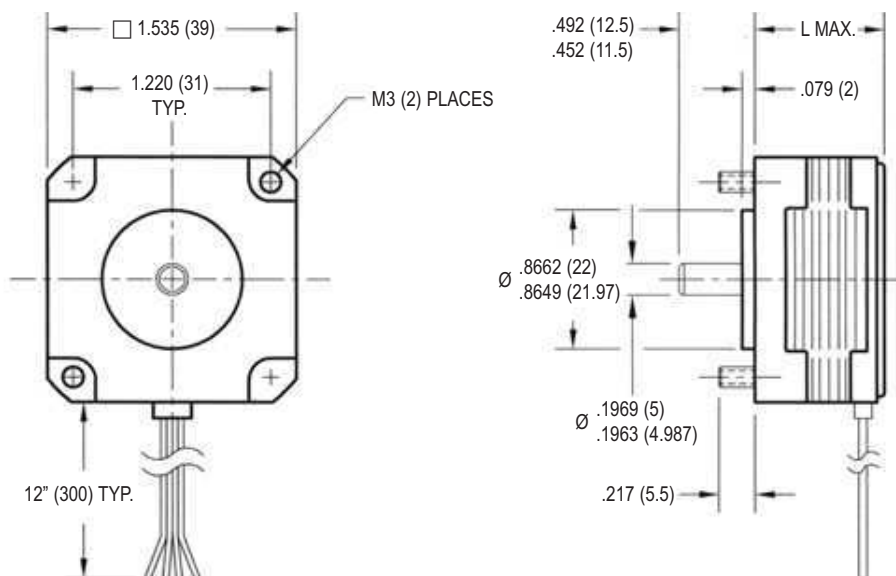


- Step angle: 1.8°
- NEMA 17 mounting configuration
- AlNiCo magnets for high speed operation
- Additional windings and customization options available
- CE approved

Specification	Units	Y 20 1607	
		0030	0060
Rated Phase Current	A	0.30	0.60
Phase Resistance	Ω	20	6.6
Phase Inductance	mH	23	8.5
Holding Torque Unipolar	oz-in	—	—
	Ncm	—	—
Holding Torque Bipolar	oz-in	10	12
	Ncm	7.0	8.7
Detent Torque	oz-in	1.4	1.4
	Ncm	1.0	1.0
Rotor Inertia	oz-in-s ² x10 ⁻⁴	1.6	1.6
	g-cm ²	11	11
Motor Weight (Mass)	lb	0.33	0.33
	kg	0.15	0.15
Maximum Voltage	V	40	40
Motor Length (Max)	in	0.81	0.81
	mm	20.5	20.5
Std. Leadwire Config. ⁽¹⁾	—	1	1
Std. No. of Leads	—	4	4

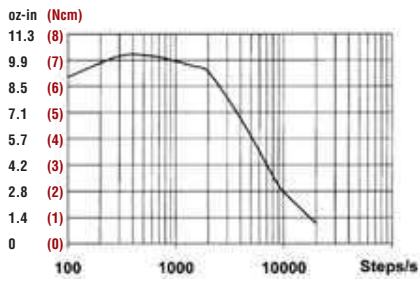
Available through the MotionExpress program.

(1) For standard leadwire configuration see page 18.



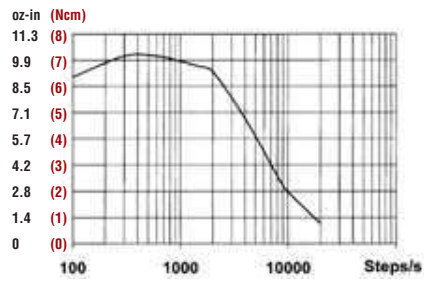
PULL-OUT TORQUE CURVES

Y 20 1607 0030



Drive: Bipolar chopper, 36V, 0.3A/Phase

Y 20 1607 0060



Drive: Bipolar chopper, 36V, 0.6A/Phase