

➤ Nema 23, 23H2A Stepper Motors (1.8 degree)



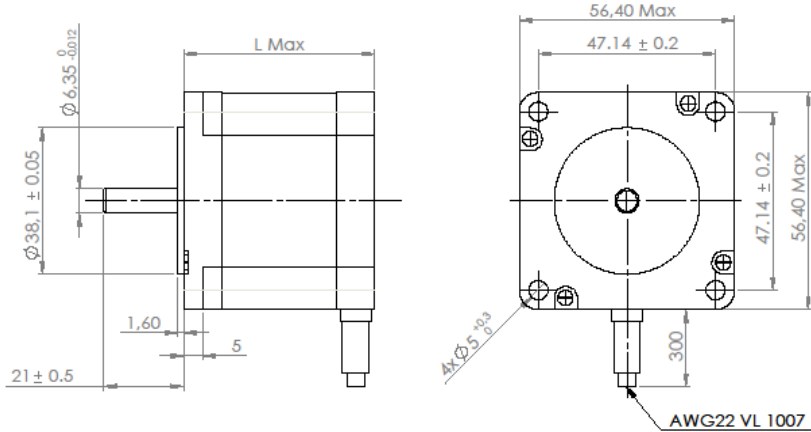
General specifications:

Step Accuracy ----- ±5%
 Resistance Accuracy ----- ±10%
 Inductance Accuracy ----- ±20%
 Temperature Rise ----- 80°C MAX.
 Ambient Temperature Range ----- -20°C~ +50°C
 Storage Temperature Range ----- -30°C~ +60°C
 Insulation Resistance ----- 100M Ω MIN. 500V DC
 Dielectric Strength ----- 500V AC 1min
 Radial Play ----- 0.02mm MAX. (450g Load)
 End Play ----- 0.08mm MAX. (450g Load)
 Max. radial force ----- 75N
 Max. axial force ----- 15N

Electrical Specifications:

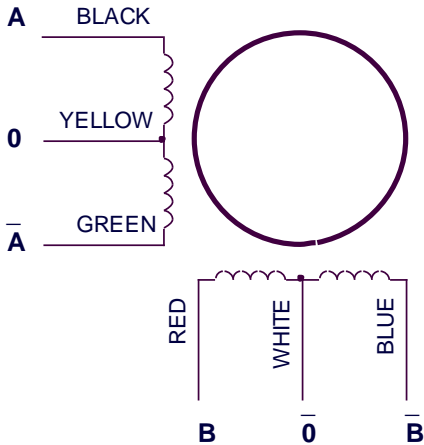
| Series Model | Old P/N | Motor Length (mm) | Rated Current (A) | Phase Resistance (ohm) | Phase Inductance (mH) | Holding Torque (N.m Min) | | Detent Torque (N.cm Max) | Rotor Inertia (g.cm ²) | Lead Wire (No.) | Motor Weight (g) |
|--------------|----------|-------------------|-------------------|------------------------|-----------------------|--------------------------|---------|--------------------------|------------------------------------|-----------------|------------------|
| | | | | | | Unipolar | Bipolar | | | | |
| 23H2A4425 | 23HS4425 | 45 | 2.5 | 1.0 | 2.2 | - | 0.8 | 2.8 | 190 | 4 | 520 |
| 23H2A6442 | 23HS6404 | 56 | 4.2 | 0.4 | 1.2 | - | 1.1 | 3.5 | 280 | 4 | 680 |
| 23H2A7442 | 23HS7404 | 64 | 4.2 | 0.55 | 1.2 | - | 1.5 | 5.0 | 380 | 4 | 850 |
| 23H2A8442 | 23HS8404 | 76 | 4.2 | 0.6 | 1.8 | - | 1.8 | 6.0 | 440 | 4 | 1050 |

Mechanical Dimensions:

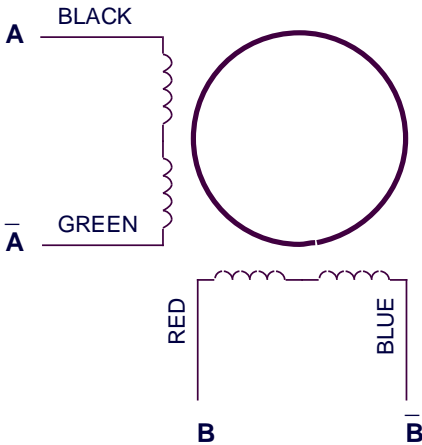


| Model | Length (mm) |
|---------|-------------|
| 23H2A4X | 45 |
| 23H2A6X | 56 |
| 23H2A7X | 64 |
| 23H2A8X | 76 |

Wiring Diagram:

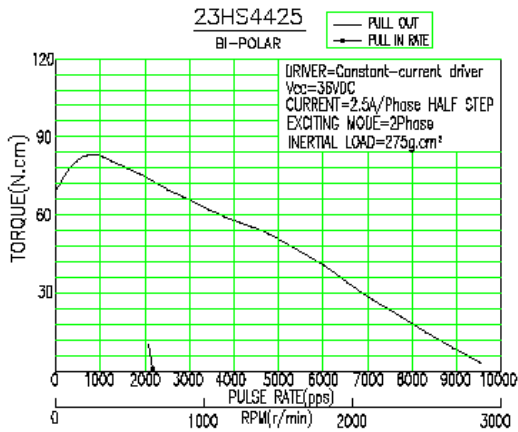


UNI / BIPOLAR (8 LEADS)

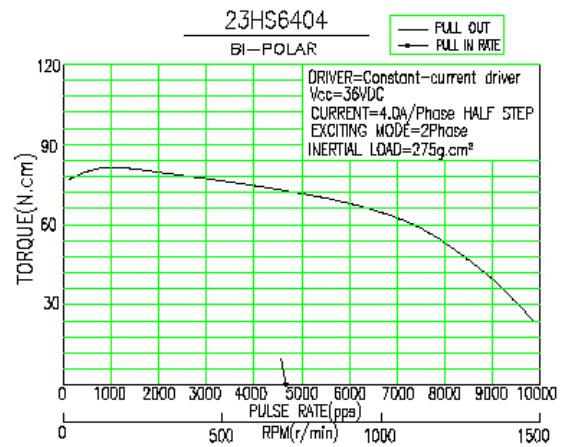


BIPOLAR (4 LEADS)

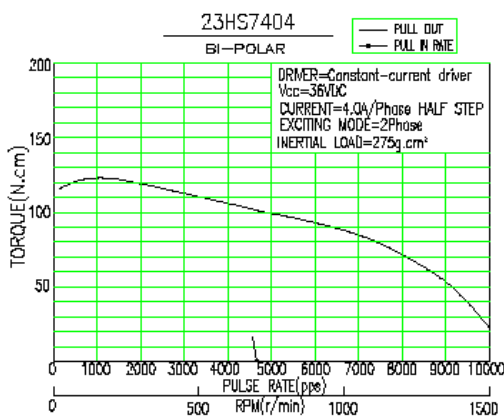
23HS4425 Curves



23HS6404 Curves



23HS7404 Curves



23HS8404 Curves

