

➤ Nema 43, 43H2A Stepper Motors (1.8 degree)



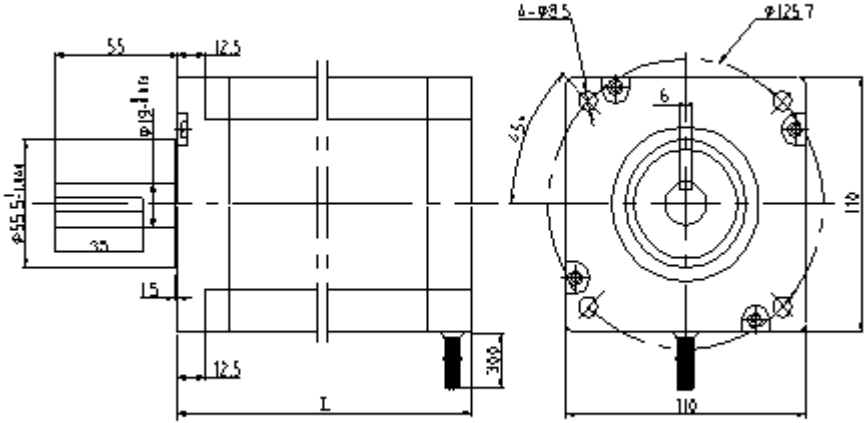
General specifications:

- Step Accuracy ----- $\pm 5\%$
- Resistance Accuracy ----- $\pm 10\%$
- Inductance Accuracy ----- $\pm 20\%$
- Temperature Rise ----- 80°C MAX.
- Ambient Temperature Range ----- $-20^{\circ}\text{C} \sim +50^{\circ}\text{C}$
- Storage Temperature Range ----- $-30^{\circ}\text{C} \sim +60^{\circ}\text{C}$
- Insulation Resistance ----- $100\text{M } \Omega \text{ MIN. } 500\text{V DC}$
- Dielectric Strength ----- $820\text{VAC, } 1\text{s, } 3\text{mA}$
- Radial Play ----- $0.02\text{mm MAX. (450g Load)}$
- End Play ----- $0.08\text{mm MAX. (450g Load)}$
- Max. radial force ----- 220N
- Max. axial force ----- 60N

Electrical Specifications:

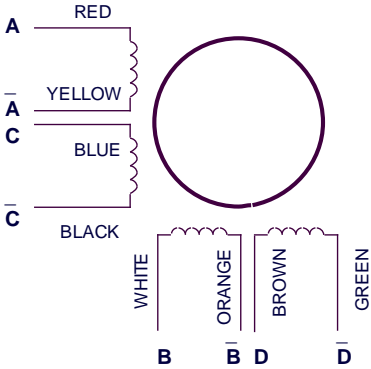
Series Model	Motor Length (mm)	Rated Current (A)	Phase Resistance (ohm)	Phase Inductance (mH)	Holding Torque (N.m Min)		Rotor Inertia (g.cm ²)	Lead Wire (No.)	Motor Weight (kg)
					Unipolar	Bipolar			
43HS2A100-604	100	6.0	0.5	6	-	12.5	3500	4	5.5
43HS2A125-654	125	6.5	0.66	11	-	20.0	8500	4	7.5
43HS2A150-654	150	6.5	1.15	18.9	-	23.0	11000	4	8.4
43HS2A165-654	165	6.5	0.65	14	-	26.0	13000	4	11

Mechanical Dimensions:



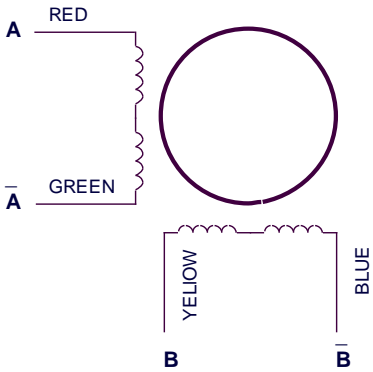
Model	43HS2A100	43HS2A125	43HS2A150	43HS2A165
Length (mm)	100	125	150	165

Wiring Diagram:



UNI / BIPOLAR

(8 LEADS)



BIPOLAR

(4 LEADS)

