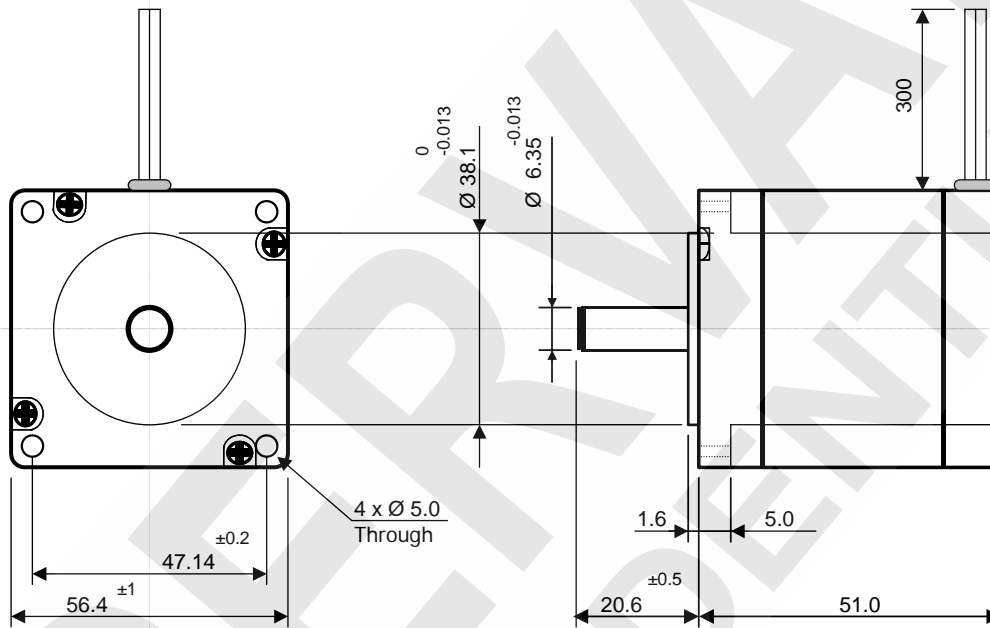


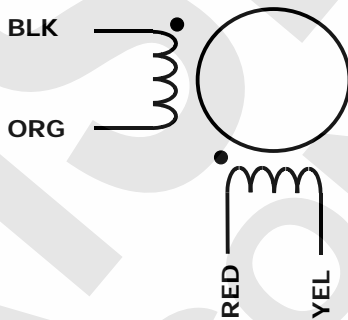
Front flange	<b>2.3" - 57 mm square shape</b>	Step Angle	<b>1,8° ±5%</b>
Front Shaft	<b>20.60 mm length - Ø 6.35 mm</b>	Rear Shaft	<b>None</b>
Winding	<b># 4 lead wires</b>	Lead Wire Length	<b>300 mm</b>
Rated Voltage	<b>2.94 Volt</b>	Rated Current	<b>2.10 Amps</b>
Resistance	<b>1.40 ohm ±10%</b>	Inductance	<b>3.90 mH ±20%</b>
Winding	<b>Bipolar</b>	Bipolar Holding Torque	<b>0,98 Nm</b>
Rotor Inertia	<b>275 g.cm<sup>2</sup></b>	IP protection	<b>IP30</b>

### Mechanical drawing

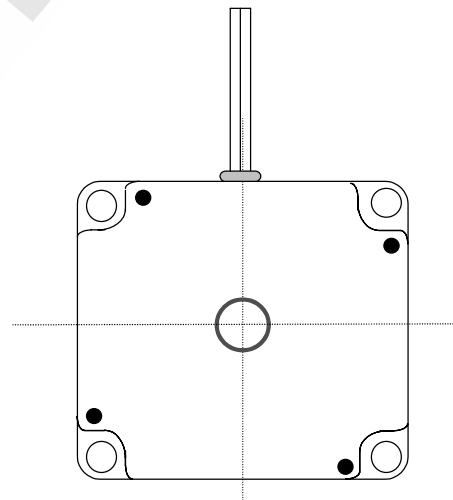
Dimension in mm



Connection lead wires color diagram



Rear flange



### Motor Labelling

Label type: alluminum adhesive label

