

MT34FN

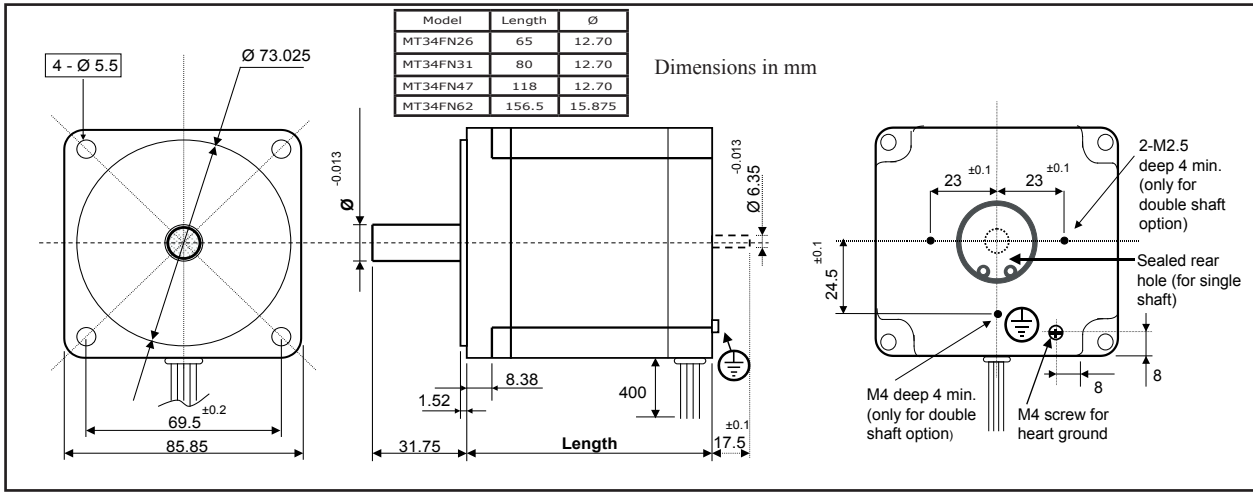
High torque 3.4" (86 mm) flange step motors

Specification	MT34FN26		MT34FN31		MT34FN47		MT34FN62	
	028x8yy	043x8yy	042x8yy	060x8yy	035x8yy	060x8yy	035x8yy	060x8yy
Phase voltage <i>Vdc</i>	3.64	2.45	3.36	2.34	4.45	3.12	6.13	4.20
Phase current <i>A</i>	2.80	4.30	4.20	6.00	3.50	6.00	3.50	6.00
Phase resistance <i>Ohm ±10%</i>	1.30	0.57	0.80	0.39	1.30	0.54	1.80	0.70
Phase inductance <i>mH±10%</i>	5.10	1.70	4.00	1.70	8.30	3.00	12.00	4.80
Bipolar holding torque <i>Nm±10%</i>	3.40		4.50		8.50		12.50	
Rotor inertia <i>g.cm²</i>	1000		1400		2700		4000	
Detent torque <i>Nm</i>	0.08		0.13		0.25		0.38	
Max. radial force <i>N</i>	220							
Max. axial force <i>N</i>	60							
Step angle	1.8° ±5%							
Front shaft diameter <i>mm</i>	12.7						15.875	
Rear shaft diameter on request <i>mm</i>	6.35							
Terminal or lead wires	8 lead wires of 400 mm							
Protection	IP30 (IP54 for motor with terminal box option)							
Ambient temperature <i>°C</i>	- 40 ~ + 55							
Insulation class <i>°C</i>	B, 130							
Dimensions <i>mm</i>	86 x 86 x 65		86 x 86 x 80		86 x 86 x 118		86 x 86 x 156	
Weight <i>Kg</i>	1.70		2.30		3.80		5.30	

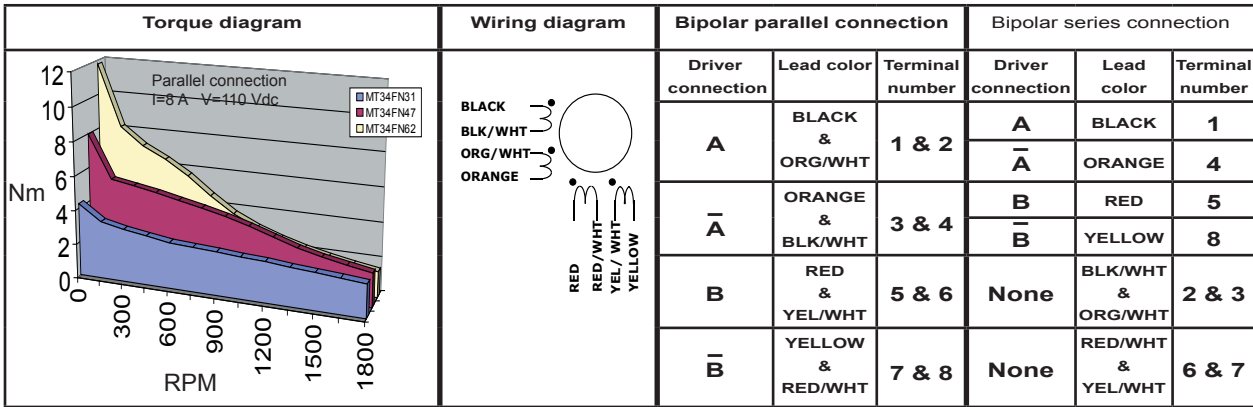
x = M (single shaft) or B (double shaft).
yy = see available options lists.

MT34FN

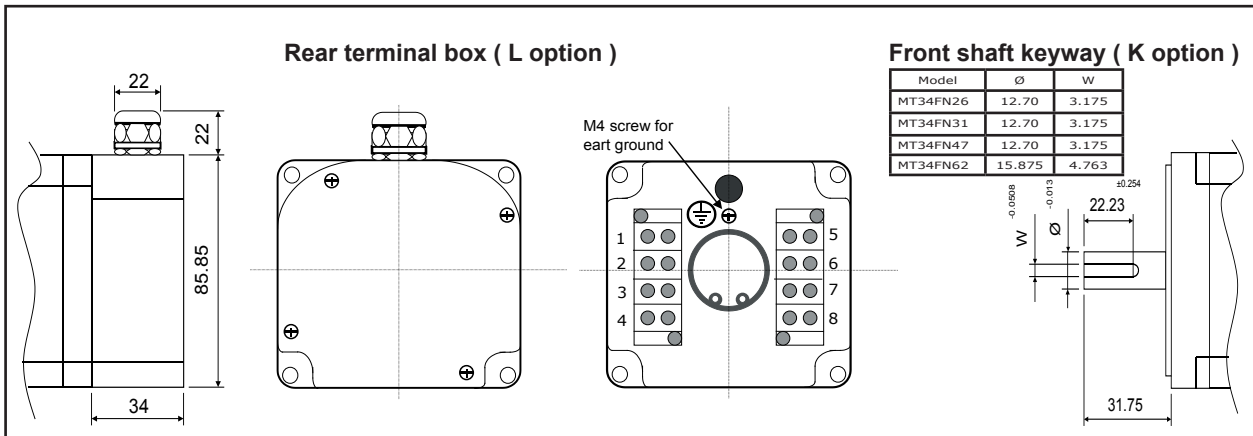
Mechanical drawing:



Connection diagram and torque diagrams:



Options:



EVER SNC DI ING. CALDI & C.
Via del Commercio, 2/4
Loc. San Grato, Z.I. - 26900 LODI (ITALY)
Tel.++39 0371 412318 - Fax++39 0371 412367
e-mail : infoever@everelettronica.it
web: www.everelettronica.it